

Blueair by BLUENIX

MODEL BLIB-950S

ICE BINS

Designed to prevent
water overflow and
increase ventilation..



Intertek



Stainless steel cabinet construction

With blue bin door and trim.
Polyethylene bin liner for sanitary
storage.



Surfaces are designed for easy cleaning.

Simplifying Maintenance and
Hygiene.



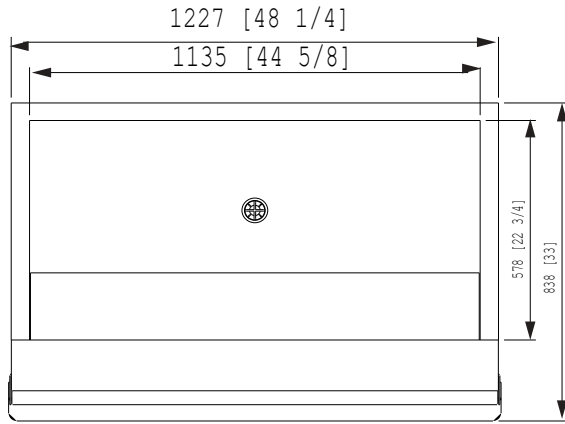
Designed for stacked ice machine.

Optimizing Ice Production and
Storage.

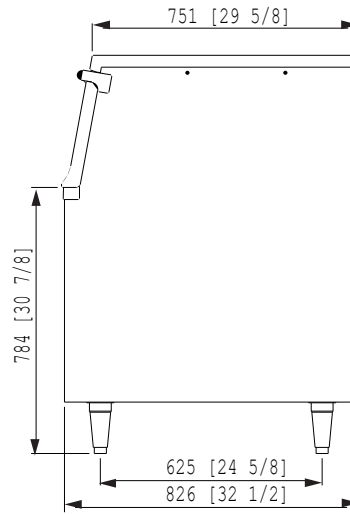
Standard Features

- 800lb. Storage Capacity
- Foamed-in-place polyurethane insulation, in all bin walls and bottom, provides dependable ice storage.
- For BLMI-500A and BLMI-650A models.
- For BLIB-500S fits all models.

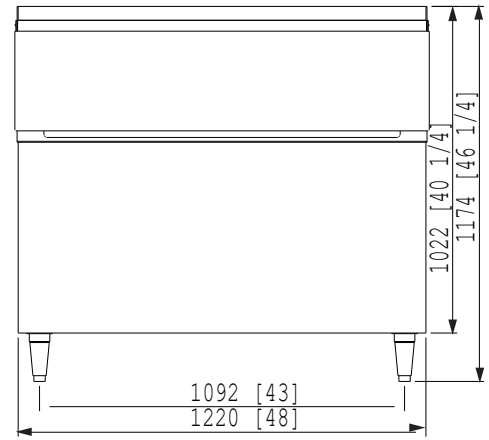
Top view



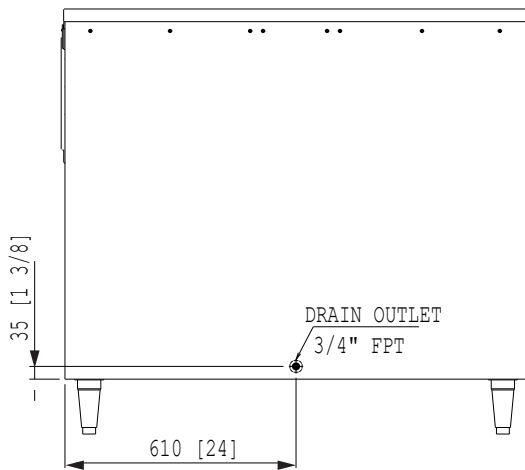
Side view



Front view



Back view



MODEL BLIB-950S

ICE BINS

Exterior Dimensions (inches)

W	D	H
48"	32 1/2"	46 1/4"

Maximum Storage Capacity (lbs / kg)

800 lbs.
363 kg.

Shipping Weight (lbs/kg)

198 lbs
90 kg

	BLMI-300A BLMI-500A (22" Width)	BLMI-500AD (30" Width)	BLMI-650A (22" Width)	BLMI-900A (30" Width)	BLMI-1300R previous (BLMI-1300R) (48" Width)
BLIB-300S (22" Width)	Adapter Not Needed	Combination Not Available	Adapter Not Needed	Combination Not Available	Combination Not Available
BLIB-500S (30" Width)	Need IMBK-8S (Enclosed in BLIB-500S for free)	Need IMBK-30R	Need IMBK-8S (Enclosed in BLIB-500S for free)	Adapter Not Needed	Combination Not Available
BLIB-950S (48" Width)	Need IMBK-8S + IMBK18S (Single Stack) Need IMBK-4M (Double Stack)	Combination Not Available	Need IMBK-8S + IMBK18S (Single Stack) Need IMBK-4M (Double Stack)	Need IMBK-18S	Adapter Not Needed



blueairfse.com



orders@blueairfse.com



1.886.677.8500



223 W. Rosecrans Ave., CA 90248
T: 310.808.0102

9 W. Shelton Terrace #A, Hillside, NJ 07205
T: 908-688-0970