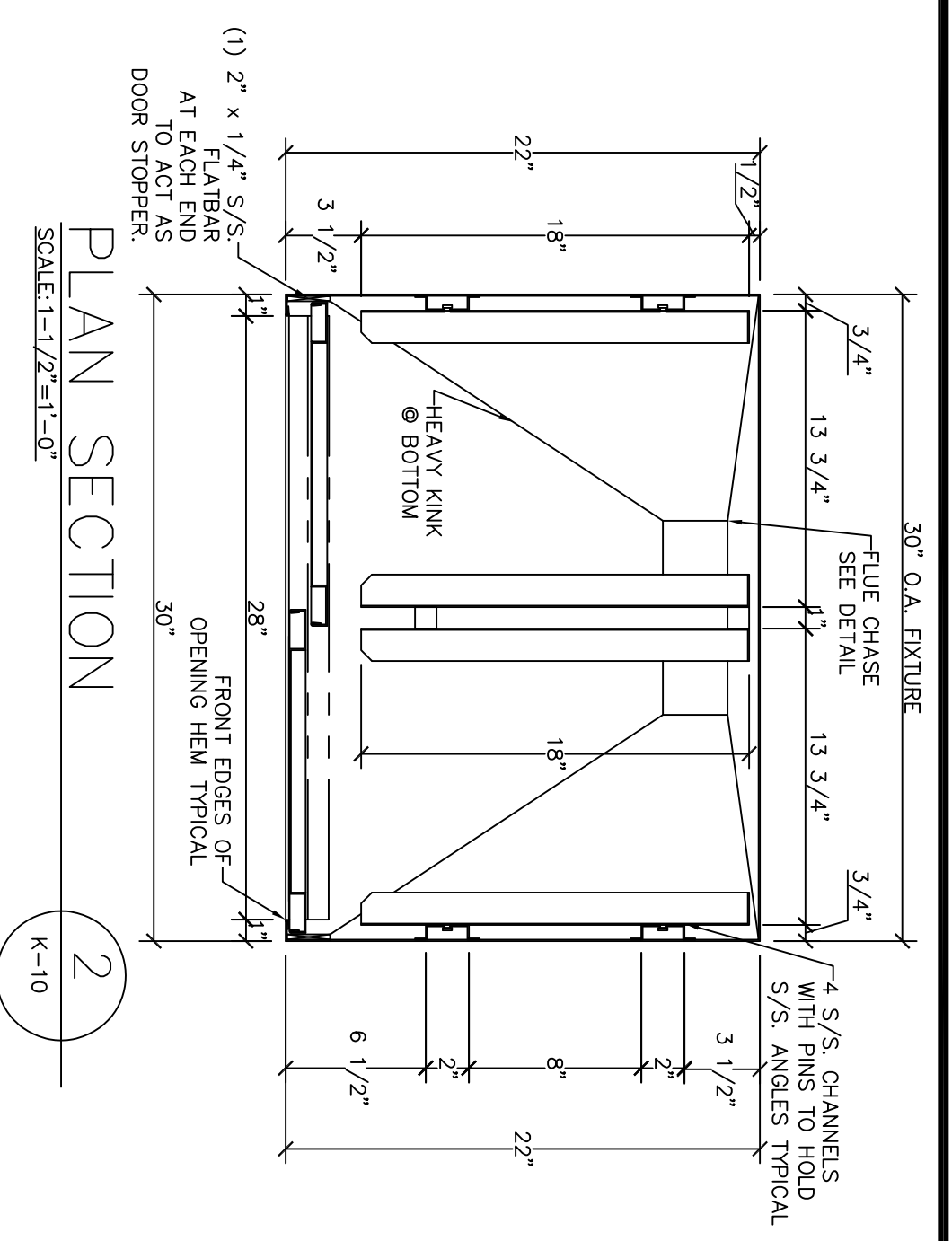
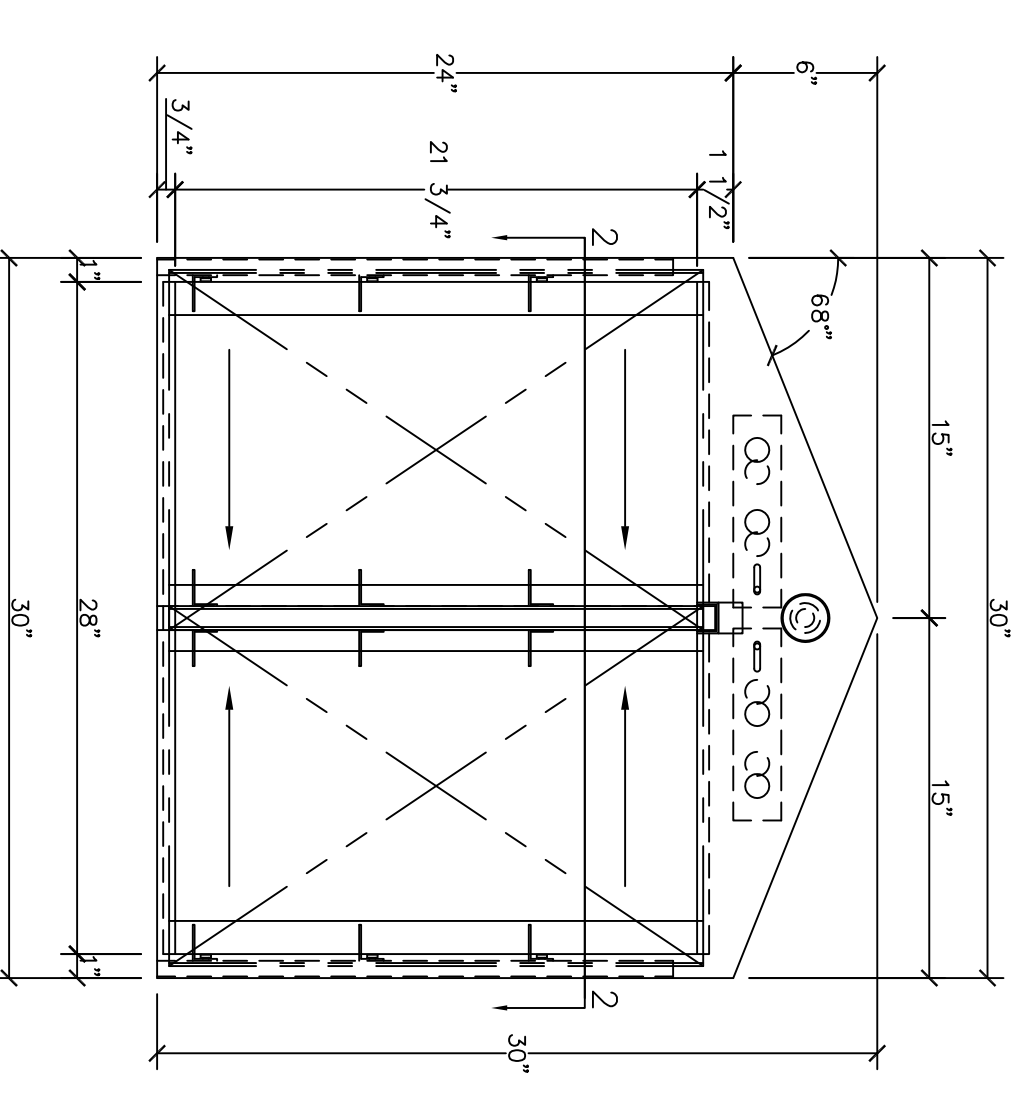


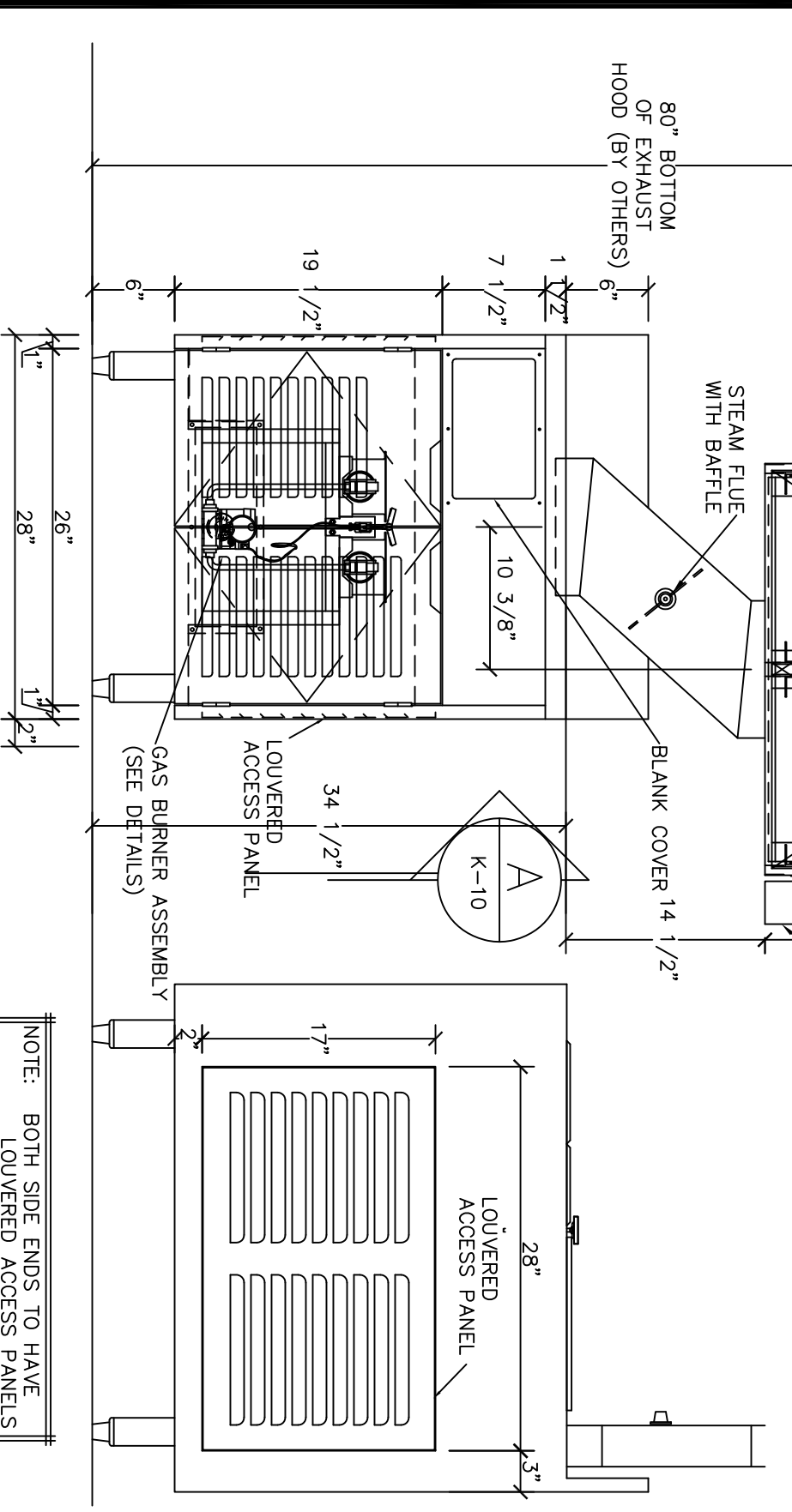
PLAN VIEW OF CHILI STEAMER
ITEM NO. 54
SCALE: 1/2"=1'-0"



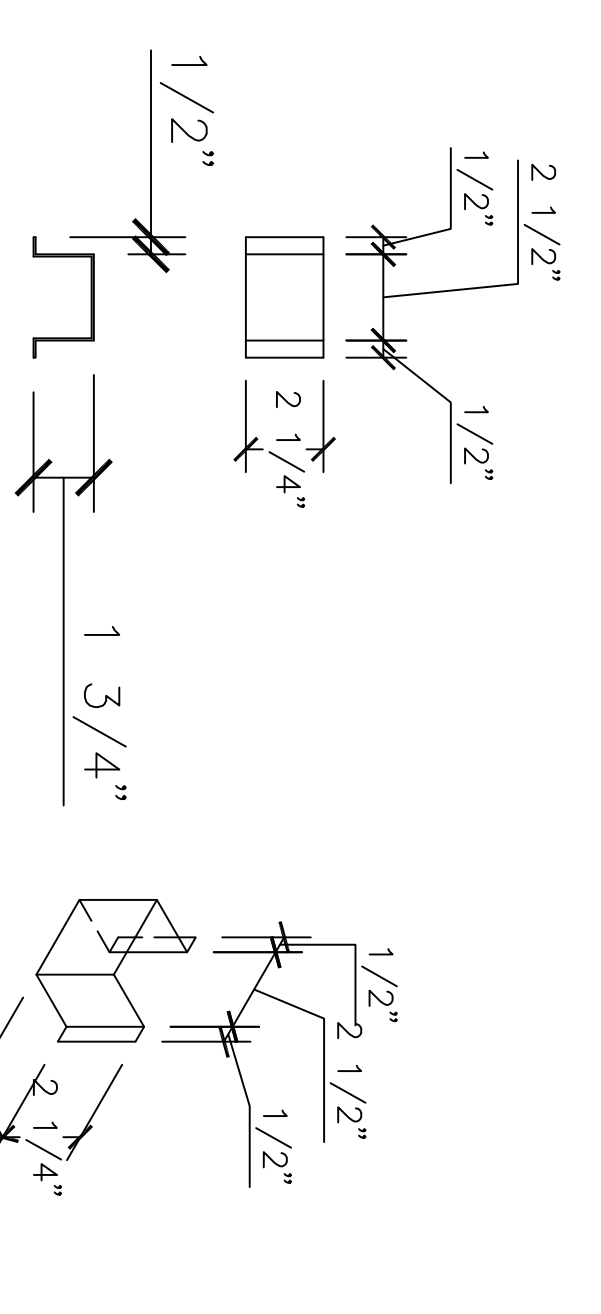
PLAN SECTION
SCALE: 1/2"=1'-0"



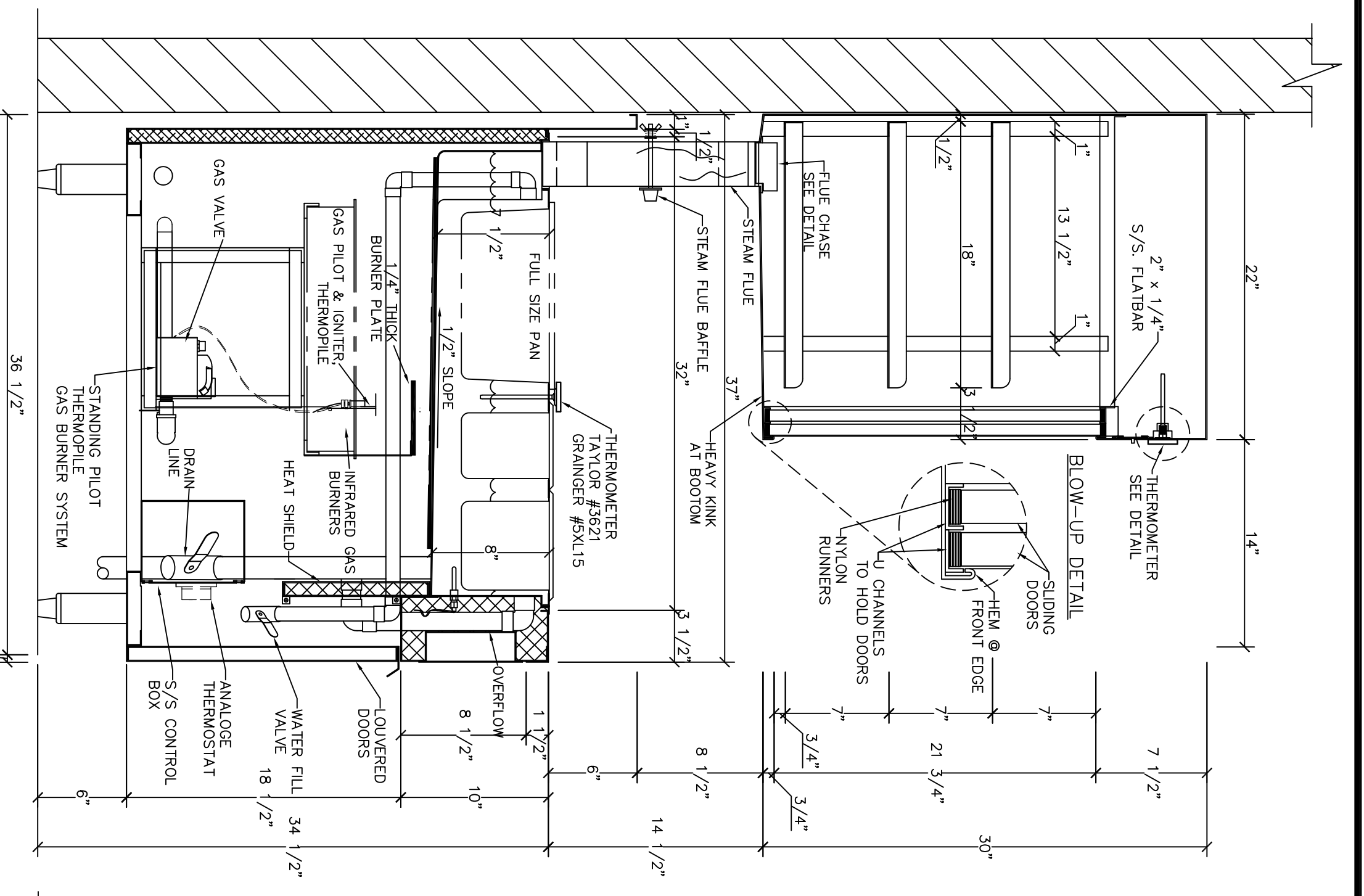
ELEVATION VIEW
SCALE: 1/2"=1'-0"



ELEVATION VIEW
SCALE: 1/2"=1'-0"



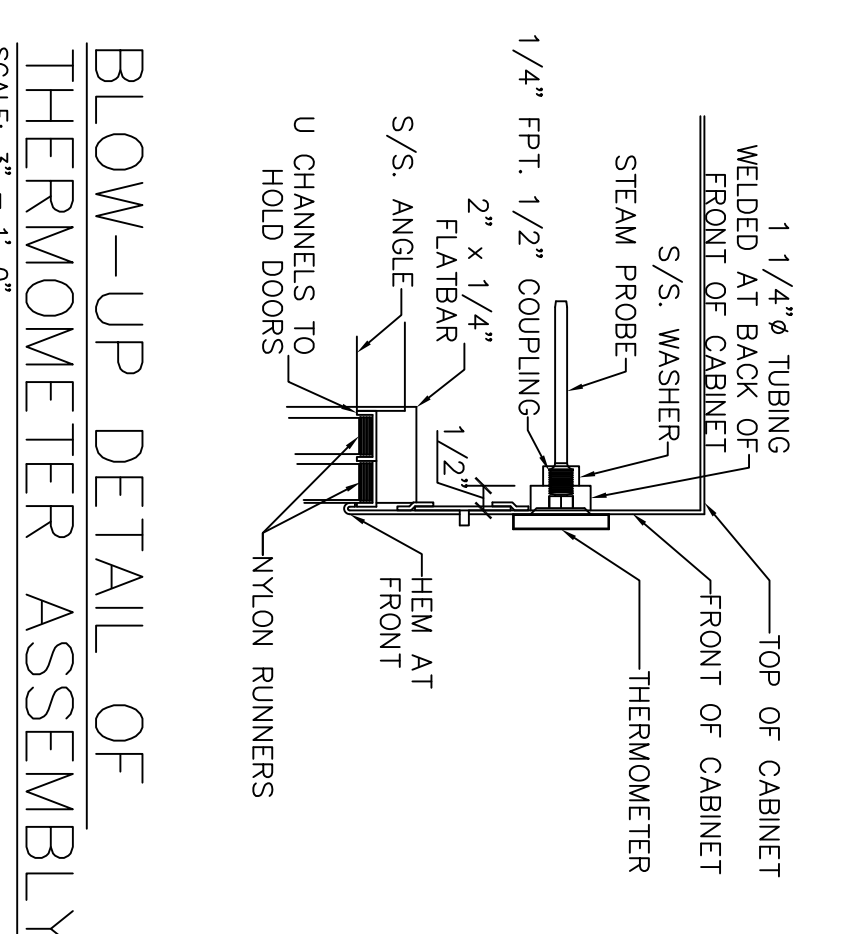
PLAN, ELEVATION & ISOMETRIC VIEW
TONG HOLDER
SCALE: 1/2"=1'-0"



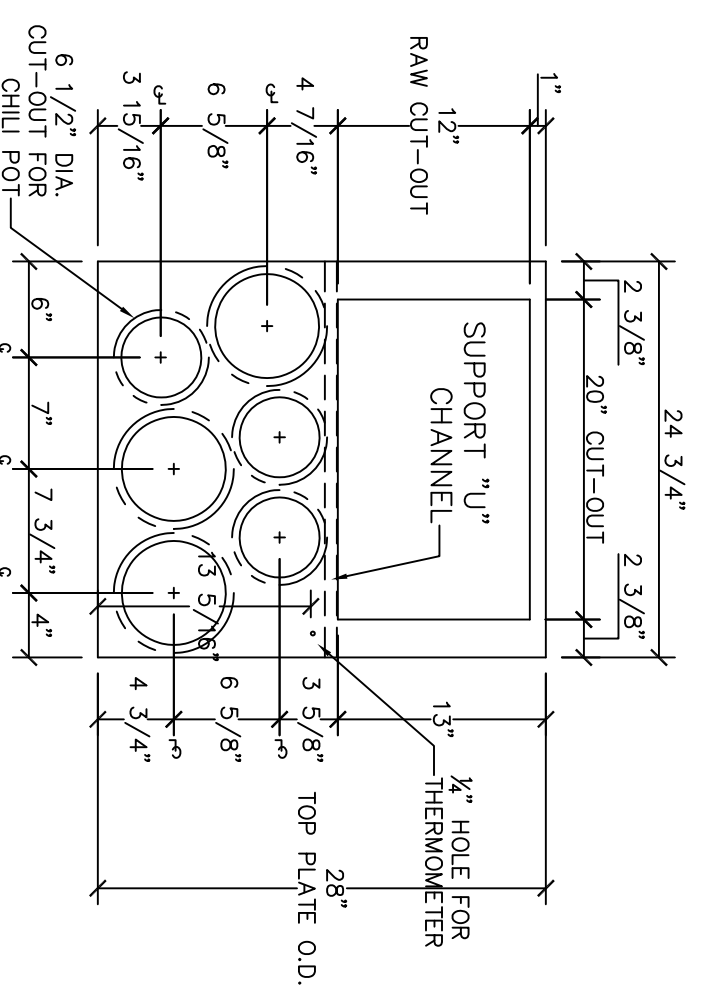
SECTION VIEW
SCALE: 1/2"=1'-0"



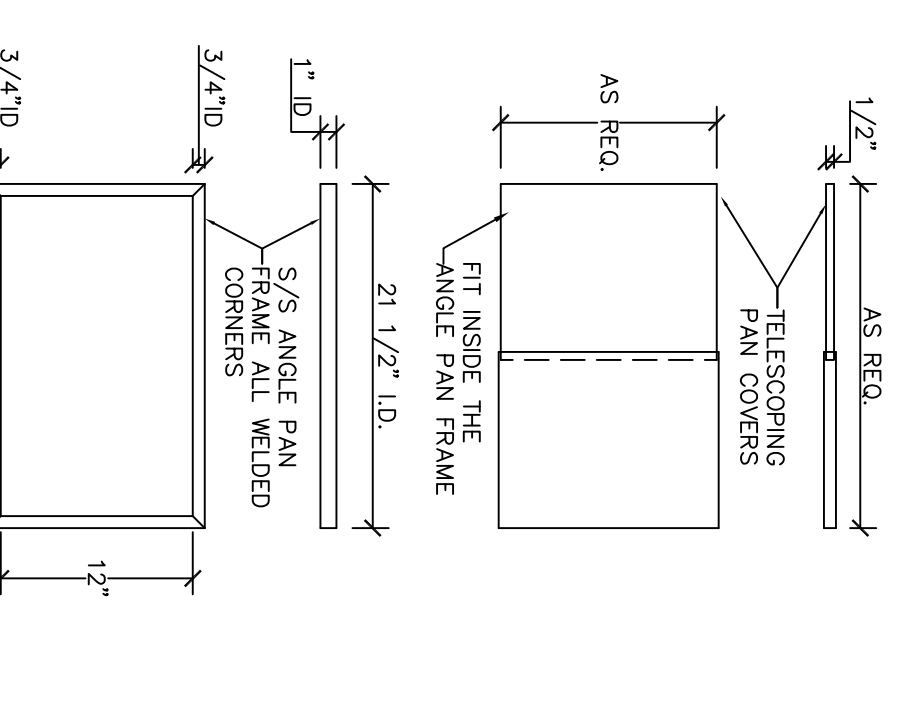
ISO DETAIL OF ITEM NO. K29, FRENCH FRY SCOOP HOLDER
(QTY. OF 1 PIECE)
SCALE: 3/4"=1'-0"



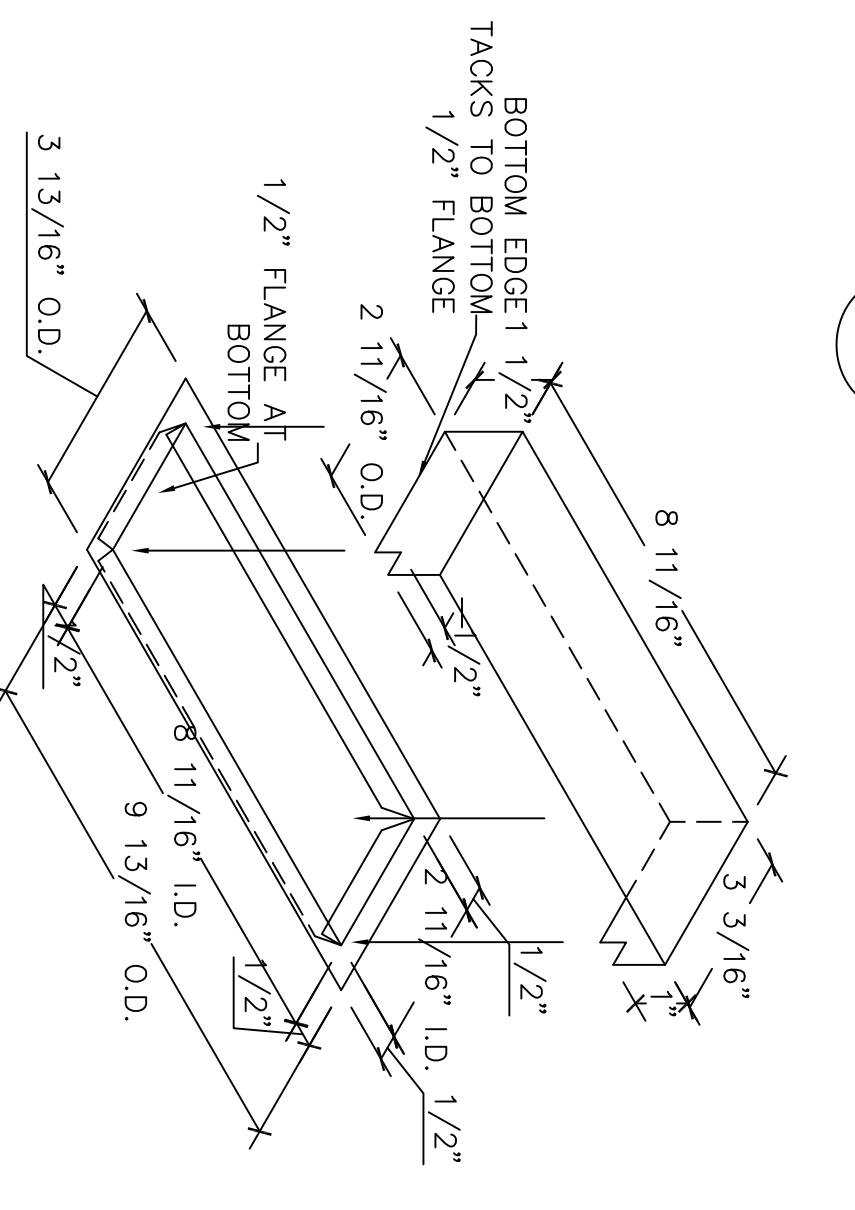
BLOW-UP DETAIL OF THERMOMETER ASSEMBLY
SCALE: 3/4"=1'-0"



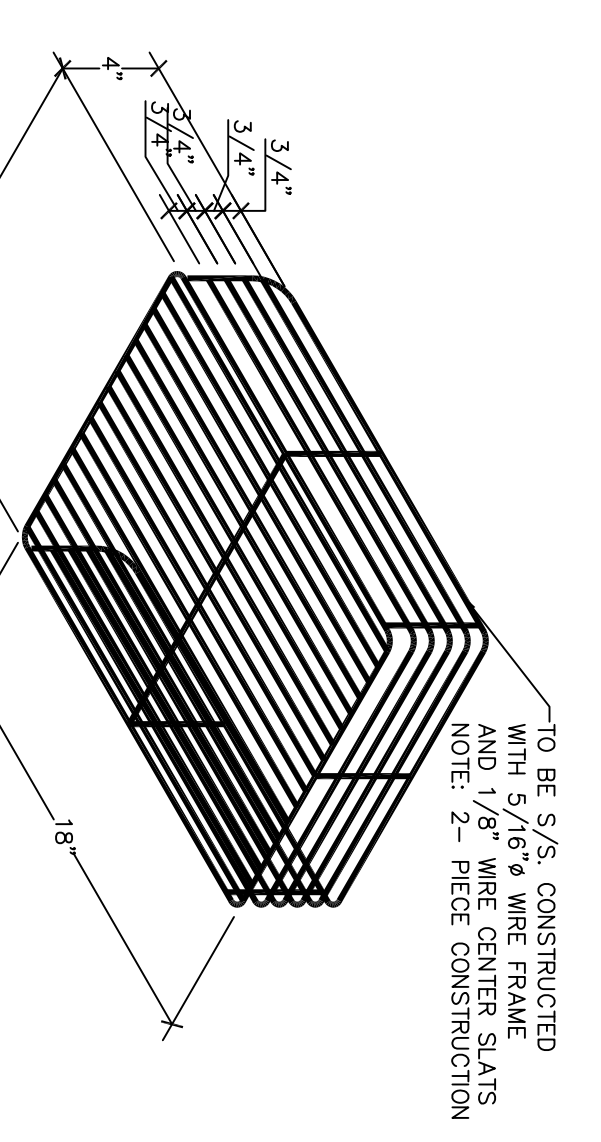
PLAN VIEW OF S/S TRAY
SCALE: 1/2"=1'-0"



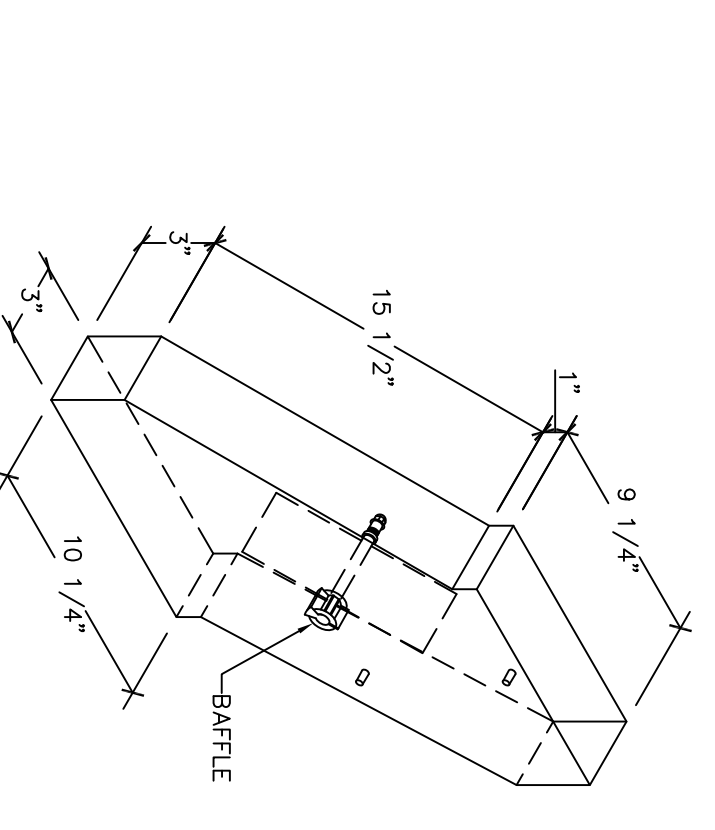
DETAIL OF ANGLE PAN
SCALE: 1/2"=1'-0"



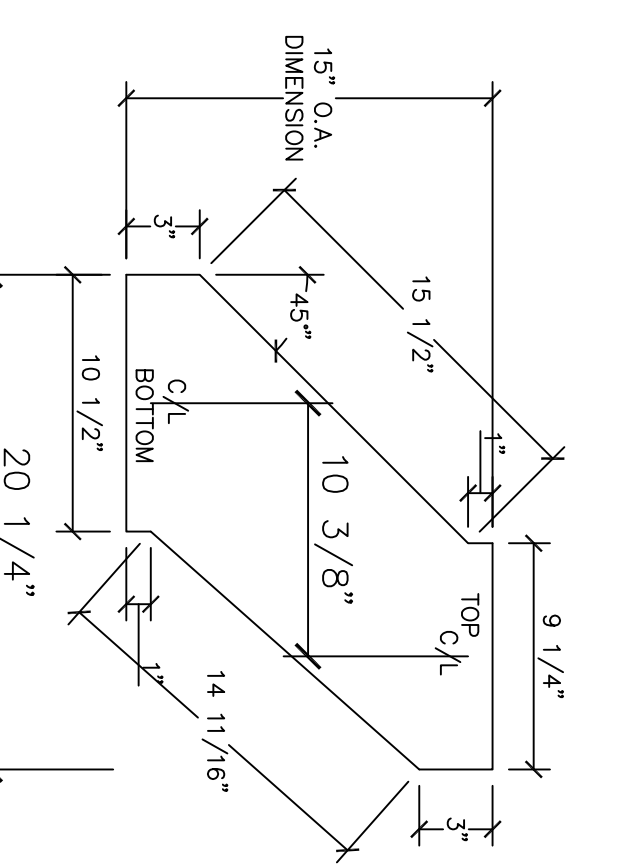
ISO DETAIL OF FLUE CHASE
SCALE: 3/4"=1'-0"



ISOMETRIC VIEW OF BUN WIRE RACK
SCALE: 1/2"=1'-0"



ISOMETRIC DETAIL OF STEAM FLUE W/ BAFFLE
SCALE: 1/2"=1'-0"



ELEVATION VIEW OF STEAM FLUE W/ BAFFLE
SCALE: 1/2"=1'-0"

REVISIONS	DATE	BY

This plan is primarily a general arrangement of equipment for the convenience of contractors and is made from the available information. But measurements are to be verified on the job. Plumbing, electrical, refrigeration and vent outlets have been located as accurately as possible and are intended to suit equipment to be supplied. We accepted no responsibility for the work done by sub contractors and will not stand any expense for the changes made necessary by the local building codes, ordinances, structural conditions, or by the substitution or changes in equipment shown on this plan. This drawing is the property of Omniteam, Inc. and must be returned upon request. Any use of information contained herein or use for fabrication by anyone other than Omniteam, Inc. must be authorized in writing.

Omniteam
9300 Hall Road, Downey CA. 90241
Phone: (562) 861-2160
Fax: (562) 622-5680

Wienschitzel #827 Tracy, CA.
BUN & CHILI STEAMER
ANALOGUE THERMOSTAT
STANDING PILOT
INFRARED BURNER MODEL



DRWING	DOMMIE
CHECKED	
DATE	4-9-14
SCALE	As Noted
FILE NO.	K-11
JOB NO.	85588
SHEET	1
SHEETS	1