



Item: _____

Quantity: _____

Project: _____

Snap Action Griddle

Snap Action Griddle

Models: RSA-24 RSA-36 RSA-48 RSA-60 RSA-72



RSA-36

Gas Type: Natural LP

Elevation (if above 2000 ft.): _____

Standard Features

- 11" working height, perfect for refrigerated bases.
- Large 1½ gallon capacity stainless steel grease can
- Compact heavy gauge chassis for long life
- Stainless steel sides and front valve cover
- Double wall panels for cooler sides
- Heavy duty Stainless Steel "U" shaped burner every 12" rated at 30,000 BTU/hr each
- Solid state control with sensor embedded in the plate
- Free standing pilot
- Aeration panels between the burners for added efficiency
- 1" thick griddle plate with polished cooking surface
- 4" wide S/S grease trough with large drain opening for easy cleaning
- Stainless steel tubing for burners and pilots
- 4" high adjustable heavy duty legs included

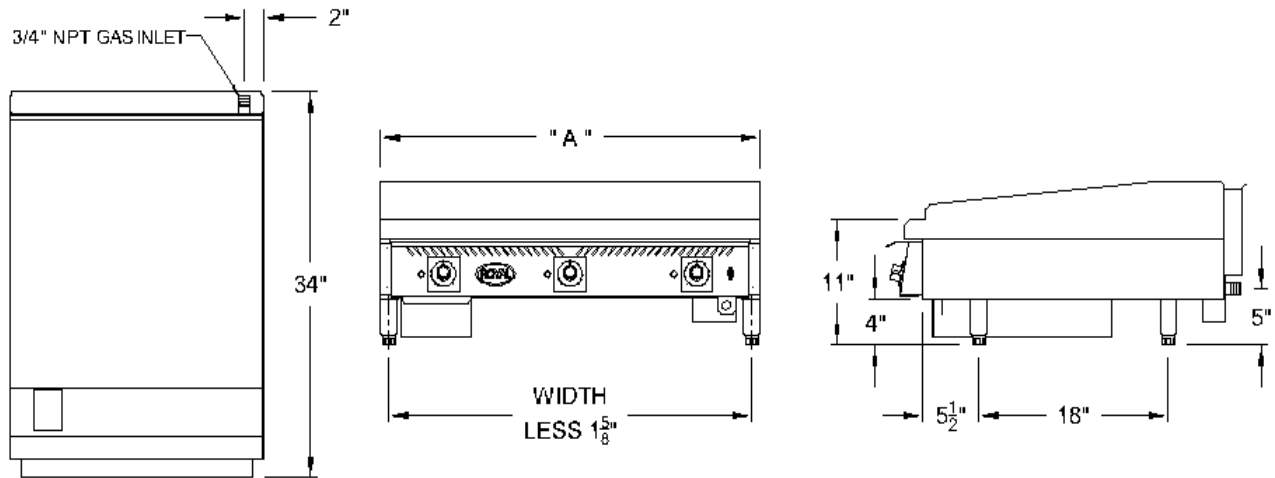
Options and Accessories

- Grooved griddle (specify width: _____")
 - Chrome griddle plate
 - Piezo Ignitor - Manual Spark Ignition
 - Stainless Steel Equipment Stand
 - Knock Down All Welded
- Size
- 24" 36" 48" 60" 72"
 - 5" swivel casters (set of four - 2 locking)
 - 5" swivel casters (set of six - 3 locking) (60" and 72" models)



2 YEAR LIMITED, PARTS AND LABOR WARRANTY

Snap Action Griddle



Model Number	Width (A)	Number of Thermostats	Number of Burners	Total BTU	Ship Weight
RSA-24	24"	2	2	60,000	215 lbs.
RSA-36	36"	3	3	90,000	300 lbs.
RSA-48	48"	4	4	120,000	350 lbs.
RSA-60	60"	5	5	150,000	640 lbs.
RSA-72	72"	6	6	180,000	745 lbs.

Notes:

- For one pair of open burners add suffix "OB2" and increase overall width by 12"
- For two pairs of open burners add suffix "OB4" and increase overall width by 24"
- Each hot plate (open) burner is rated at 30,000 BTU/hr and increases the total BTU value accordingly

Gas Connection:

3/4" NPT on the right hand rear of the appliance.

The pressure regulator (supplied) is to be connected by the installer.

Specify type of gas and altitude, if over 2,000 feet, when ordering.

Electrical: 120V, 60Hz, 1 phase, 1 amp

Provided with 6' power cord fitted with standard 3 prong grounded plug

Gas Pressure:

5" W.C.	Natural Gas
10" W.C.	Propane

Clearances:

	Combustible	Non-Combustible
Rear	6"	0"
Sides	4"	0"

Due to continuing product development to ensure best possible performance, these specifications are subject to change without prior notification.

Royal Range of California, Inc.
 3245 Corridor Dr. • Eastvale, CA 91752 • (800) 769-2414 • (951) 360-1600
 Fax: (951) 360-7500 • www.royalranges.com • sales@royalranges.com