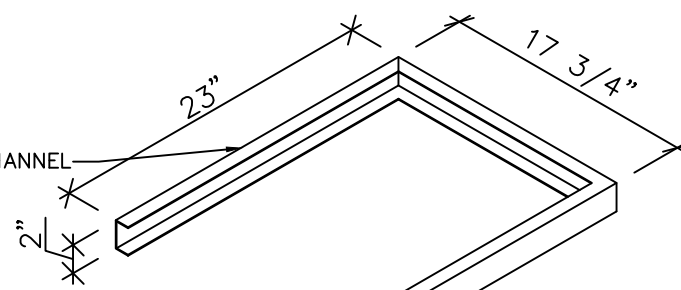
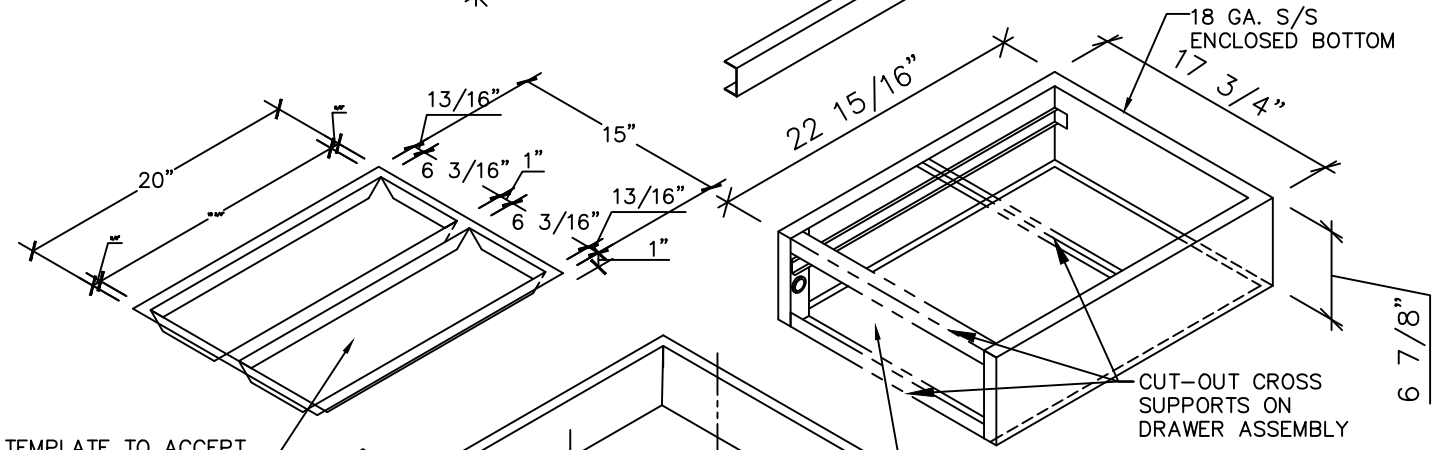


S/S MOUNTING CHANNEL

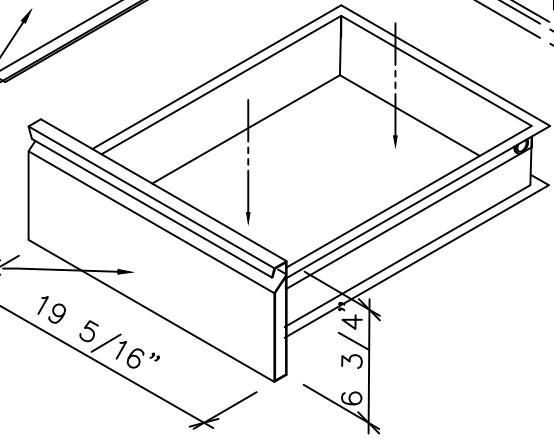


18 GA. S/S ENCLOSED BOTTOM



S/S TEMPLATE TO ACCEPT (6) SIX 1/6th. PANS

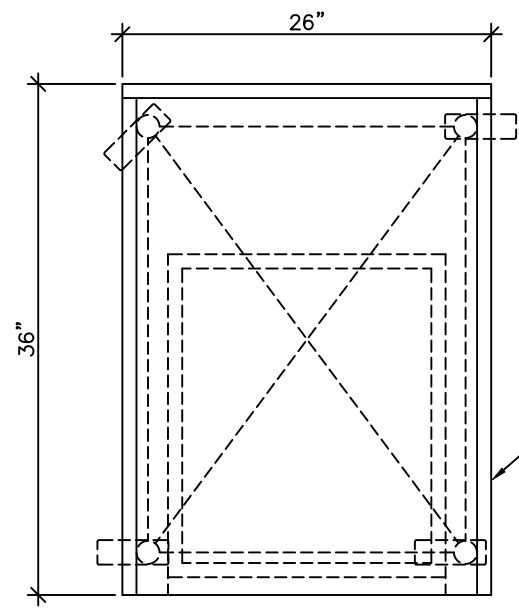
16 GA. S/S FACE



S/S INNER DRAWER TRACK ASSY. w/(4) 1" SKATE WHEELS

CUT-OUT CROSS SUPPORTS ON DRAWER ASSEMBLY

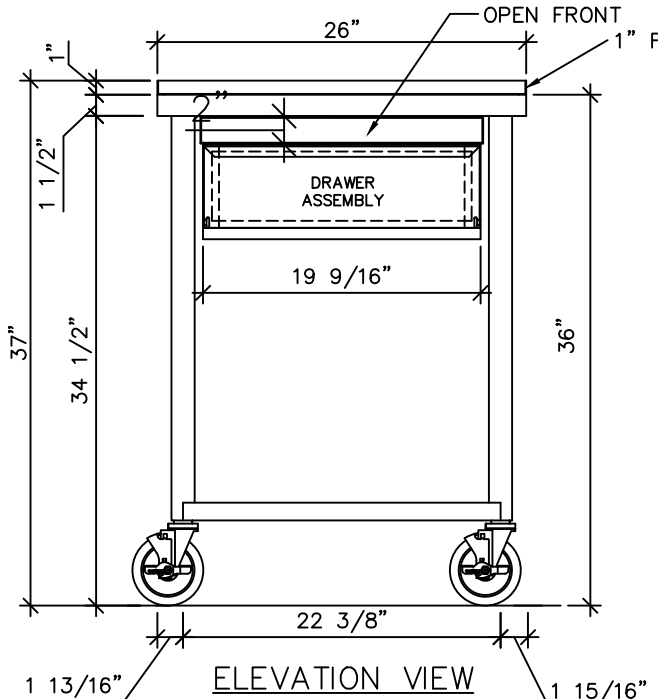
6 7/8"



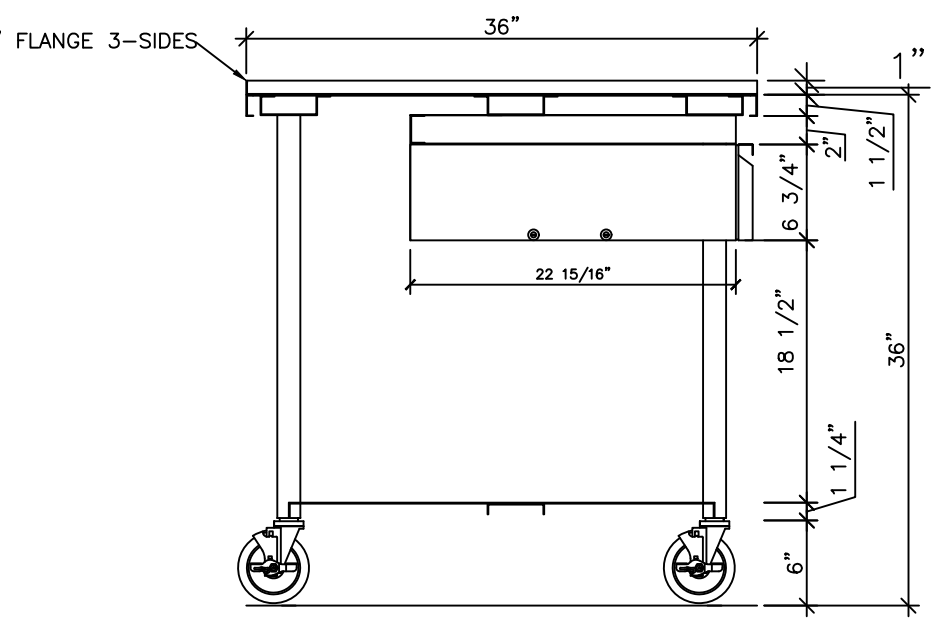
1" FLANGE 3-SIDES

PLAN VIEW ITEM K-121
S/S TASTEE FREEZE MOBILE STAND

DETAIL OF DRAWER ASSEMBLY



ELEVATION VIEW



SECTION THRU