



## /// With space at a premium, the VCT-2 Vertical Contact Toaster has a compact design that frees up valuable space without compromising on quality or performance.

The new VCT-2 features the smallest footprint of our entire line of Vertical Contact Toasters: 60% smaller than the standard unit. The individual heel and crown compression settings and digital controller ensure operators can quickly achieve the desired toast quality on a variety of different bread products.

With its dual sided platen, two toasting lanes, and fast 15-second toast time, the new VCT-2 can quickly serve fresh products to customers without making them wait. The end result is a toasted bun with a better taste and better finish for a hotter sandwich.



VCT-2

### FEATURES:

- /// Toasts two buns (heel and crown) simultaneously for increased capacity.
- /// Small footprint saves valuable countertop space.
- /// Toasts product in 15 seconds ( $\pm 2$  seconds).
- /// Digital controller for adjusting toast settings for a variety of different bread products.
- /// Individual heel and crown compression to ensure desired toast quality.
- /// Easy maintenance.
- /// Vertical design for easy loading.
- /// Available with belt wraps to eliminate bun marking.



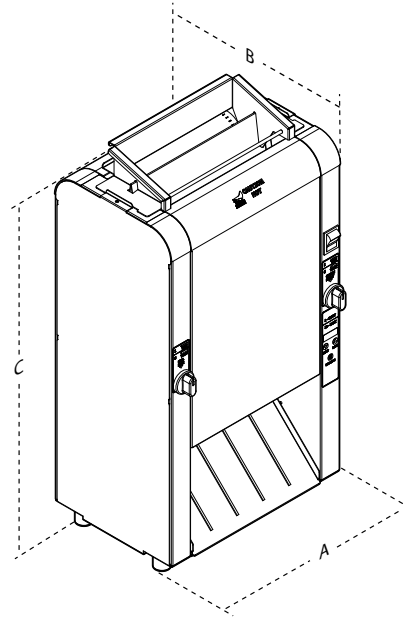
## /// Vertical Contact Toaster | VCT

### Dimensions

Mfg. No.	Width (A)	Depth (B)	Height (C)
9210907	13"	10"	25 1/2"
9210955	(330 mm)	(254 mm)	(648 mm)
9210923			

### Bun Specifications

Crown			Heel		
Feeder Opening	Min.	Max	Feeder Opening	Min.	Max
1 3/4" (44 mm)	13/16" (21 mm)	1 1/8" (29 mm)	1 1/2" (38 mm)	9/16" (14 mm)	7/8" (22 mm)



### Specifications

- /// Toasting Time: 15 seconds ( $\pm 2$  seconds)
- /// Temperature Control: Solid State with Display
- /// Power Cord: Six-foot grounded power cord supplied

### Electrical Ratings

Mfg. No.	Volts	Watts	Amps	Hertz	Plug Configuration
<b>VCT-2 with belt wraps</b>					
9210907	120V	1800	15	50/60	NEMA 5-15P 120 Volt, 15 Amp. Non-Locking
<b>VCT-2 without belt wraps</b>					
9210955	120V	1800	15	50/60	NEMA 5-15P 120 Volt, 15 Amp. Non-Locking
9210923	230V	1900	10.1-9.1	50/60	IEC-309 Plug



Antunes delivers a complete range of countertop cooking equipment and water filtration solutions to foodservice operations around the world. Learn more about Antunes and its products at [antunes.com](http://antunes.com).

#### UNITED STATES CORPORATE HEADQUARTERS

Carol Stream, Illinois, USA  
Phone: +1.630.784.1000  
Toll Free: +1.800.253.2991

#### UNITED STATES INNOVATION CENTER

Crystal Lake, Illinois, USA  
Phone: +1.630.784.1000  
Toll Free: +1.800.253.2991

#### CHINA FACILITY

Suzhou, China  
Phone: +84.512.6841.3637  
Fax: +86.512.6841.3907

#### INDIA FACILITY

Chennai, India  
Phone: +91.44.25532212  
Fax: +91.44.25532415